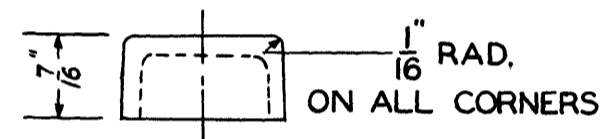
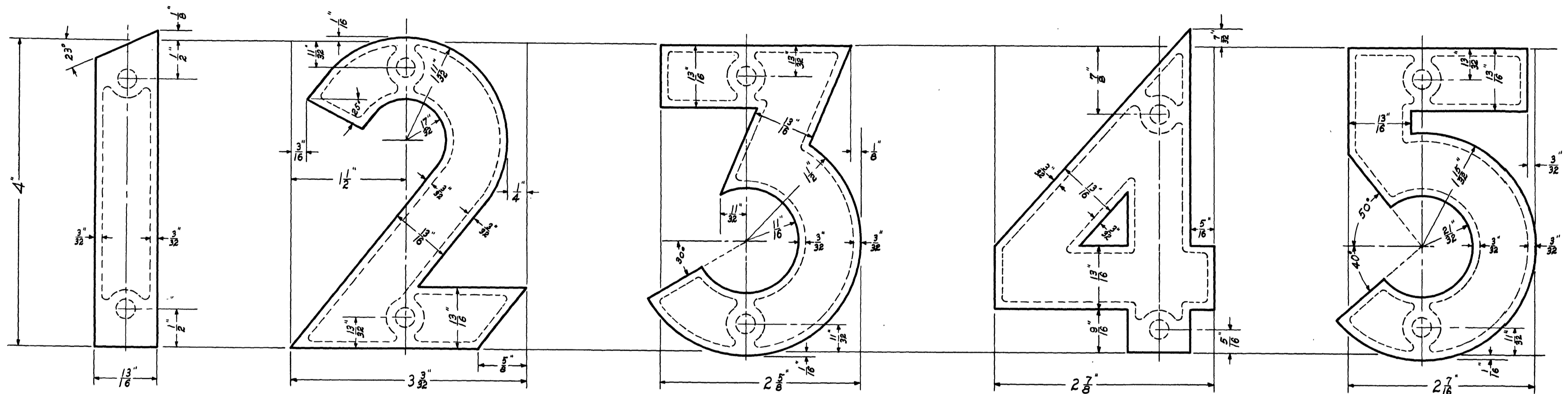
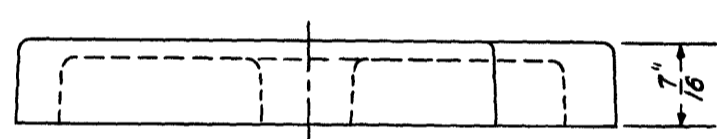


CLASS		USED ON			
ISSUE	DATE	REVISION			
A	5-10-39	NEW DESIGN NUMBERS.			

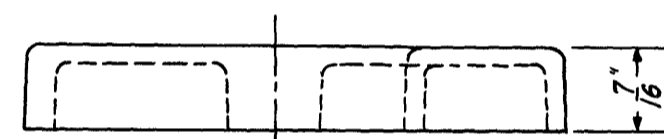


1/16" RAD.  
ON ALL CORNERS

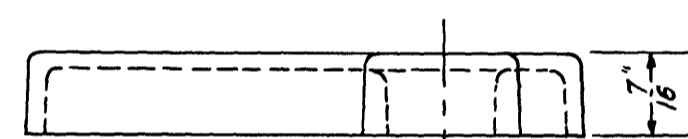
PAT. NO. 99AA21



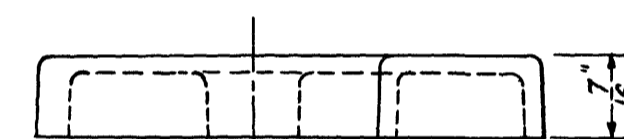
PAT. NO. 99AA22



PAT. NO. 99AA23

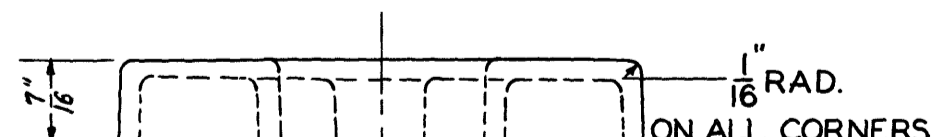
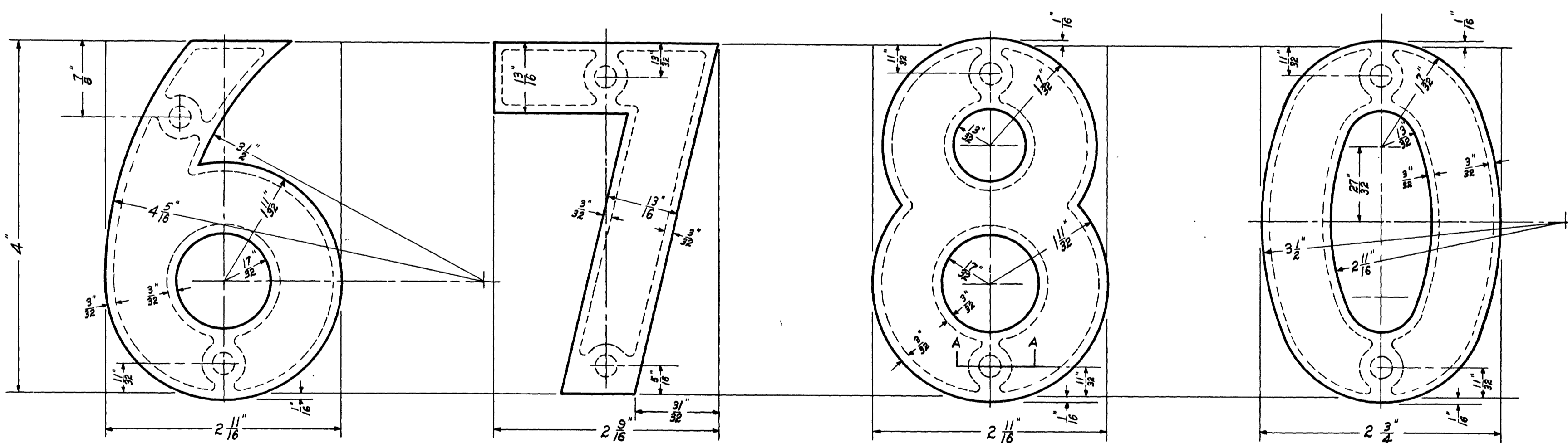


PAT. NO. 99AA24

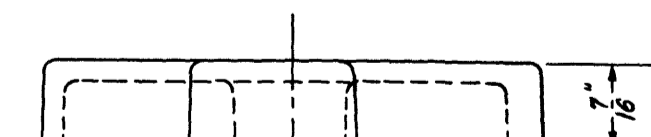


PAT. NO. 99AA25

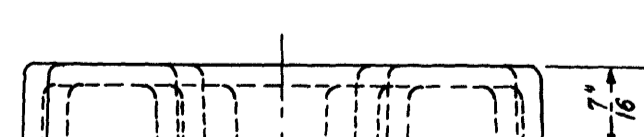
MATERIAL - ALUMINUM - POLISHED



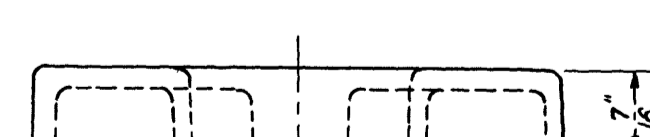
PAT. NO. 99AA26



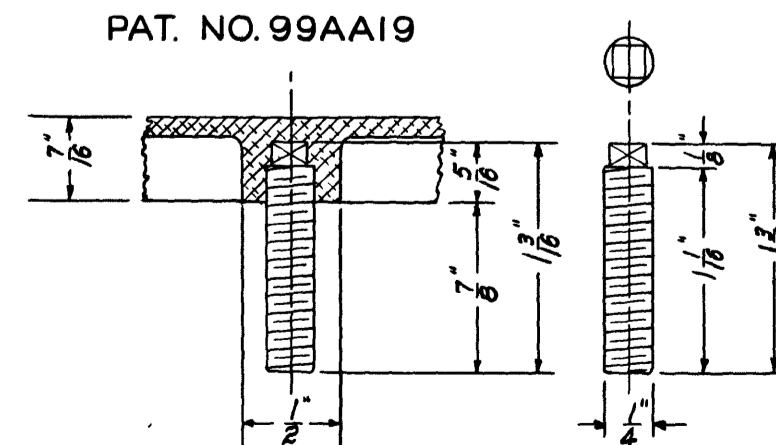
PAT. NO. 99AA27



PAT. NO. 99AA19



PAT. NO. 99AA20



SECTION A-A - FASTENING DETAIL

1/4" STUD GROUND SQUARE AT  
END AND CAST IN.

UNION PACIFIC RAILROAD CO.  
RESEARCH DEPARTMENT  
LETTERING & NUMBERING

4" METAL NUMBERS

MICROFILMED APR 17 1975

993 CA 25093

DATE	3-1-37	A					
------	--------	---	--	--	--	--	--