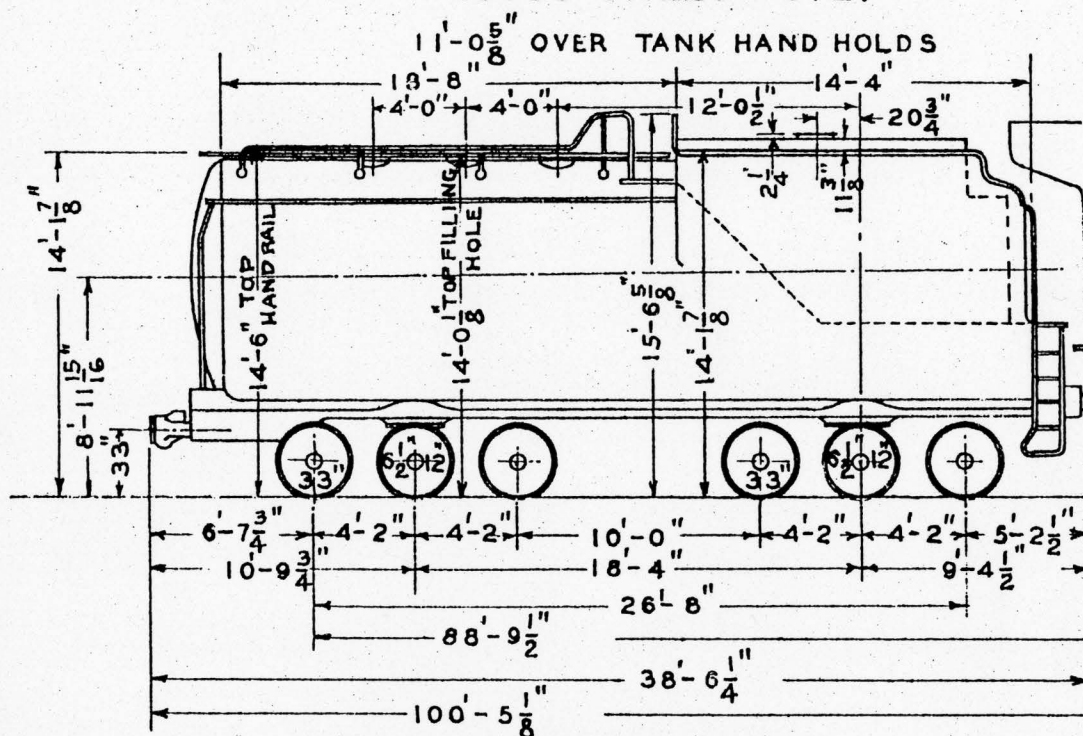


## 18000 GALLON CYL.



## TENDER

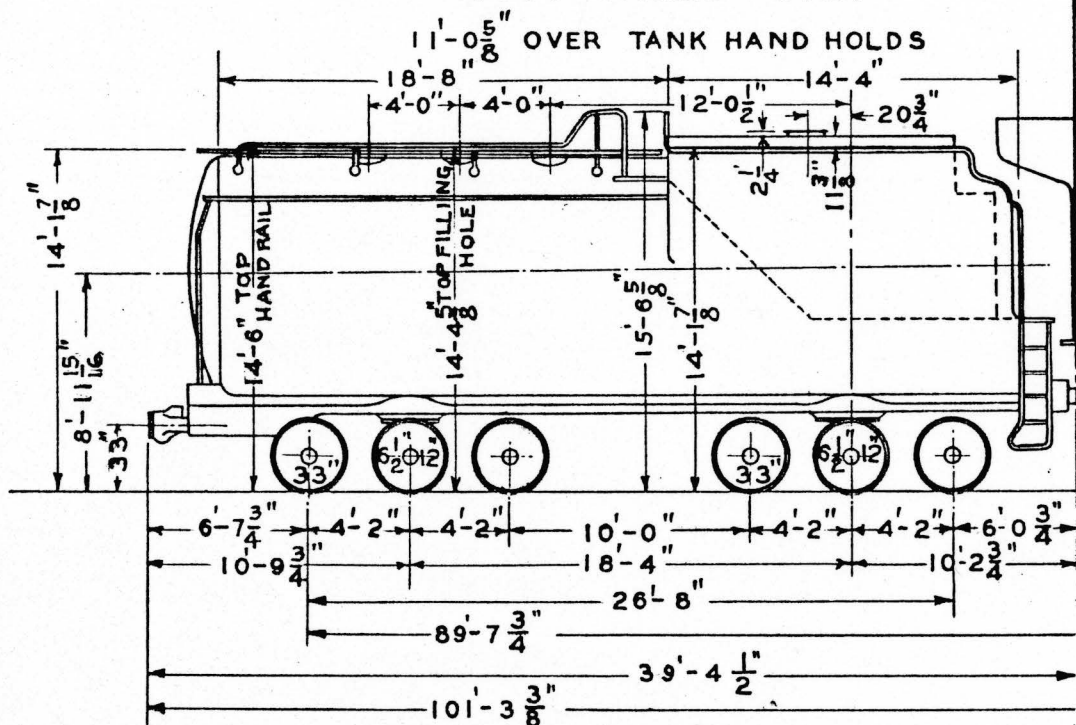
WATER CAP.		FUEL CAP.
GALLONS		OIL
18000		6010 GAL.
WT OF TENDER		TOTAL WT.
LIGHT	LOADED	ENG&TDR.
129300	322000	LOADED
TENDER FRAME		TRUCK
WATER BOTTOM		6 WHEEL EQUAL.
		BUILT
		A.L.CO.

ENGINE 3528 HAS A 6869 GAL.  
BUILT IN OIL TANK

Gordon McCulloh Collection

A	ISSUE	DIAGRAM
7-1-38	DATE	T-10-2A

## 18000 GALLON CYL.



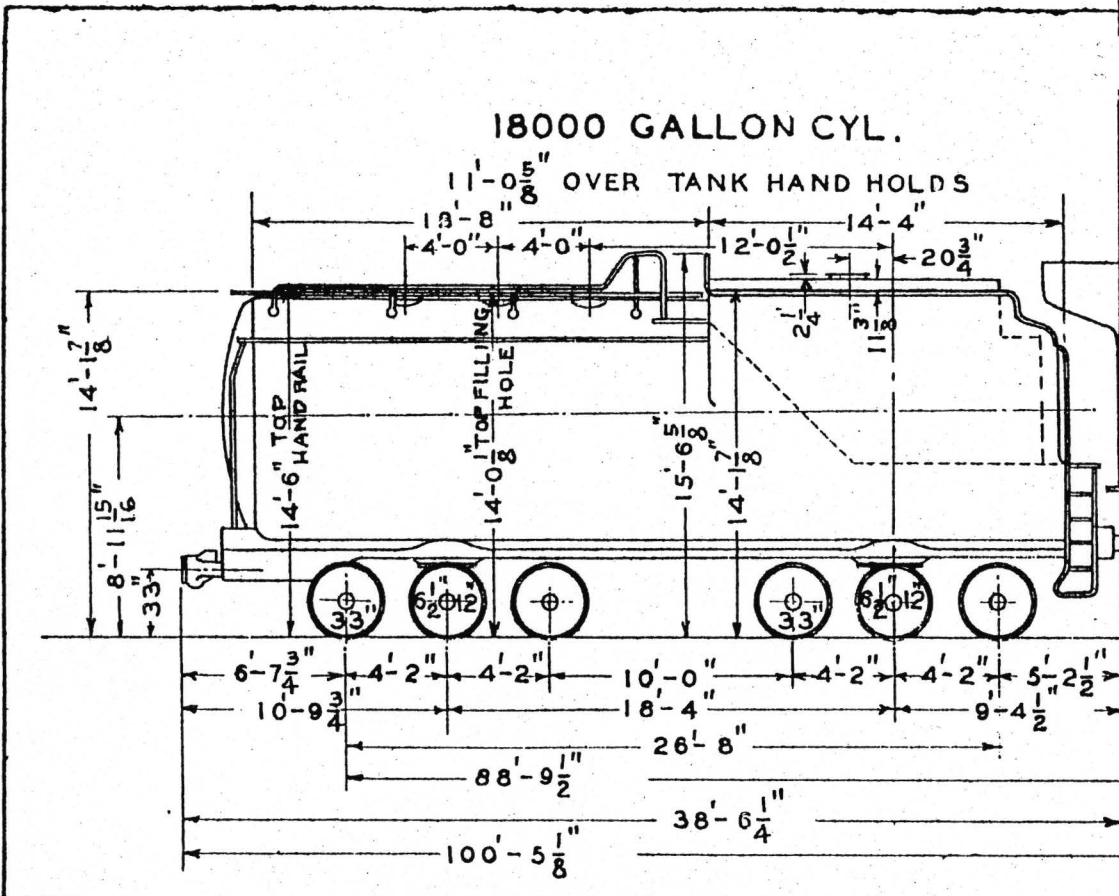
## TENDER

WATER CAP.		FUEL CAP.
GALLONS		OIL
18000		601.0 GAL.
WT OF TENDER		TOTAL WT.
LIGHT	LOADED	ENG & TDR.
129300	322000	LOADED
823480		
TENDER FRAME	TRUCK	BUILT
WATER BOTTOM	6 WHEEL EQUAL.	A.L.CO.
		1928-31

LOCO 3526 HAS A 6889 GAL.  
BUILT IN OIL TANK

Gordon McCulloh Collection

C	B	A	ISSUE	DIAGRAM
2-7-49	7-5-44	7-1-38	DATE	T-10-2A



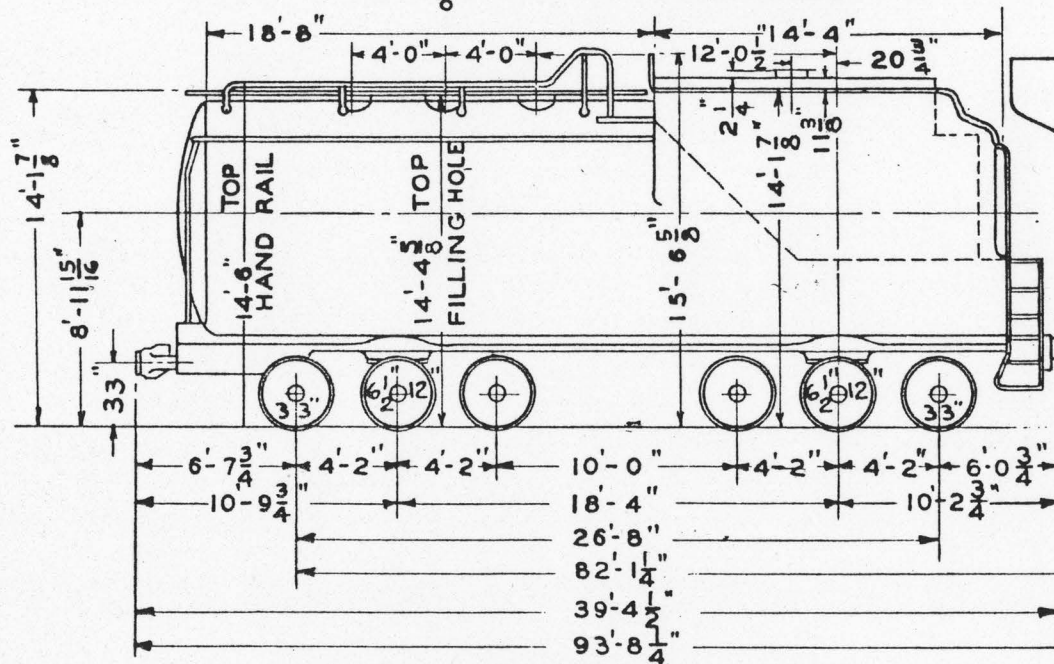
## TENDER

WATER CAP.		FUEL CAP.	
GALLONS		OIL	
18000		6010 GAL.	
WT OF TENDER		TOTAL WT.	
LIGHT	LOADED	ENG & TDR.	
129300	322000	LOADED	
TENDER FRAME		TRUCK	
WATER BOTTOM		EQUAL.	
		BUILT	
		A.L.CO.	

Gordon McCulloh Collection

A	ISSUE	DIAGRAM
7-1-38	DATE	T-10-8A

## 18000 GALLON CYL.

11'-0"<sup>5</sup>/<sub>8</sub>" OVER TANK HAND HOLDS

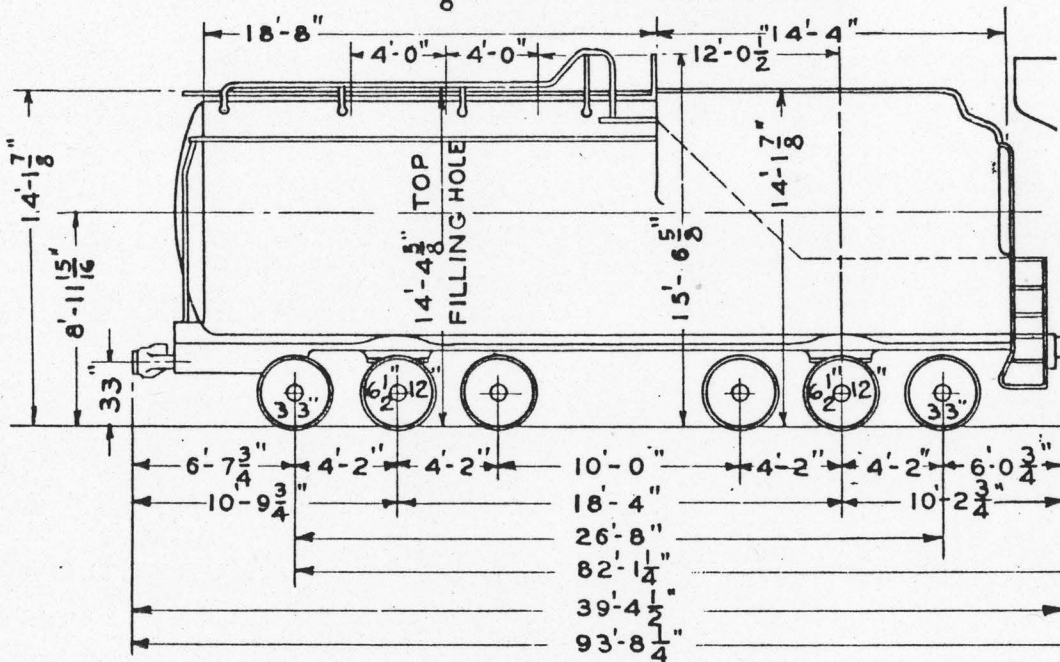
## TENDER

WATER CAP.		FUEL CAP.
GALLONS		OIL
18,000		6010 GAL.
WT. OF TENDER		TOTAL WT. ENG. & TEND LOADED
LIGHT	LOADED	
129300	322000	683500
TENDER FRAME	TRUCK	BUILT
WATER BOTTOM	6-WHL. EQUAL	A. L. CO. 1928-31

Gordon McCulloh Collection

C	B	A	ISSUE DATE	DIAGRAM
2-7-49	11-1-44	7-1-38		T-15-1

## 18000 GALLON CYL.

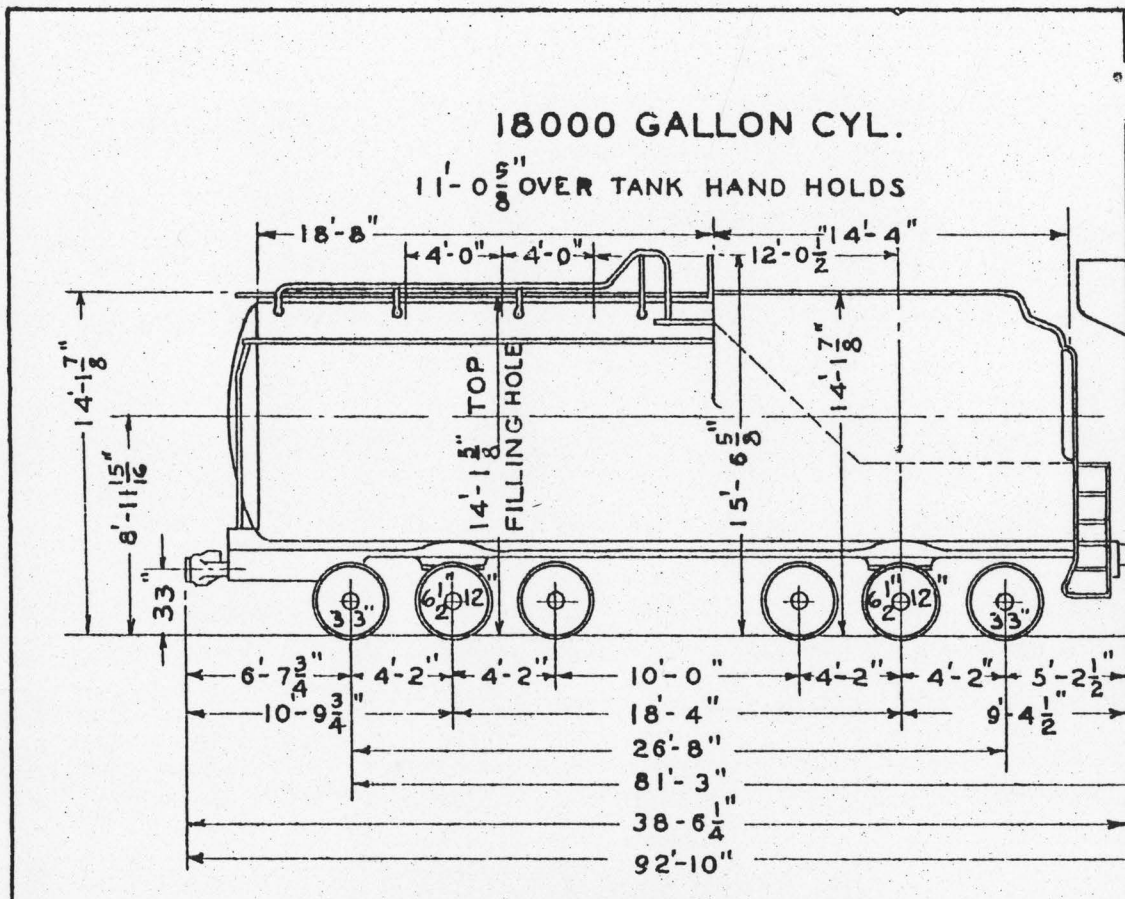
11'-0"<sup>5</sup>/<sub>8</sub>" OVER TANK HAND HOLDS

## TENDER

WATER CAP.		FUEL CAP.
GALLONS		OIL
18000		6010 GALS.
WT. OF TENDER		TOTAL WT. ENG. & TEND LOADED
LIGHT	LOADED	
122900	322000	697100
TENDER FRAME	TRUCK	BUILT
WATER BOTTOM	6-WHL. EQUAL	A. L. CO. 1928-31

Gordon McCulloh Collection

C	B	A	ISSUE	DIAGRAM
2-7-49	11-1-44	7-1-38	DATE	T-15-2

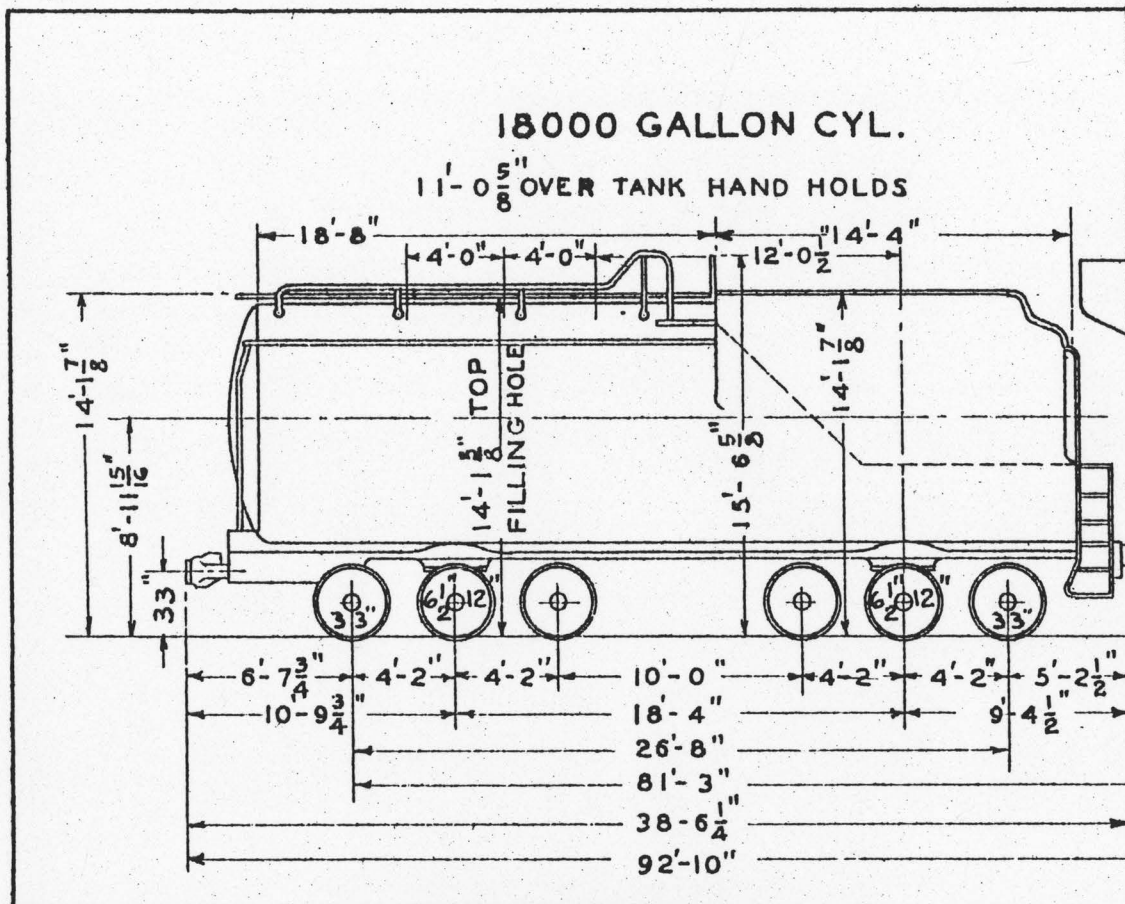


TENDER		
WATER CAP.		FUEL CAP.
GALLONS		COAL
18 000		44 000 LBS.
WT OF TENDER		TOTAL WT.
LIGHT	LOADED	ENG. & TEND LOADED
122 900	310 500	692 600
TENDER FRAME	TRUCK	BUILT
WATER BOTTOM	6-WHL. EQUAL	

Gordon McCulloh Collection

A	ISSUE	DIAGRAM
7-1-38	DATE	T-15-3



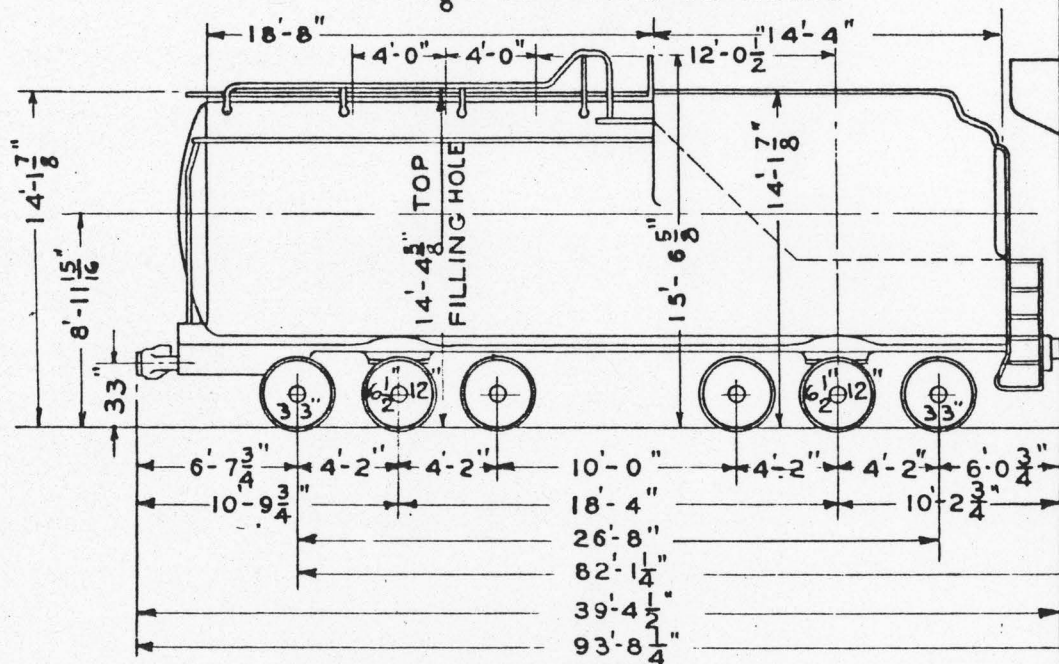


TENDER		
WATER CAP.		FUEL CAP.
GALLONS		COAL
18000		44000LBS.
WT OF TENDER		TOTAL WT.
LIGHT	LOADED	ENG.&TEND
111700	299300	LOADED
681400		
TENDER	TRUCK	BUILT
FRAME		
WATER	BUCKEYE	
BOTTOM		

Gordon McCulloh Collection



## 18000 GALLON CYL.

11'-0<sup>5</sup>/<sub>8</sub>" OVER TANK HAND HOLDS

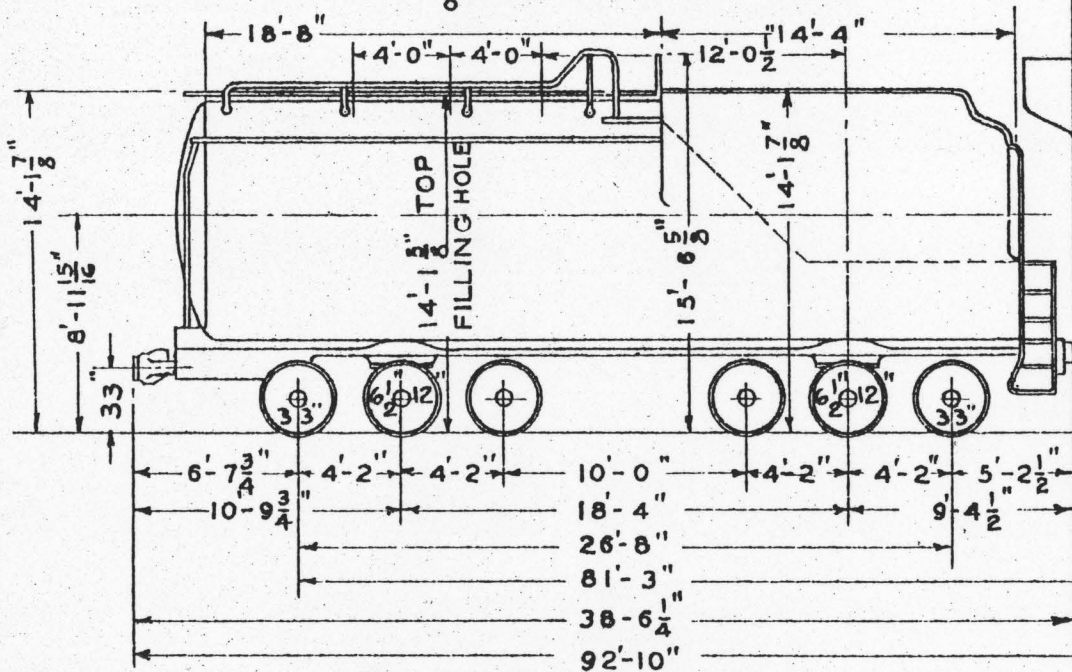
## TENDER

WATER CAP.		FUEL CAP.
GALLONS		COAL
18,000		44,000 LBS.
WT. OF TENDER		TOTAL WT.
LIGHT	LOADED	ENG. & TEND LOADED
111700	299300	681400
TENDER FRAME	TRUCK	BUILT
WATER BOTTOM	BUCKEYE	A. L. CO. 1931

Gordon McCulloh Collection

C	B	A	ISSUE	DIAGRAM
2-7-49	11-1-44	7-1-38	DATE	T-15-3A

## 18000 GALLON CYL.

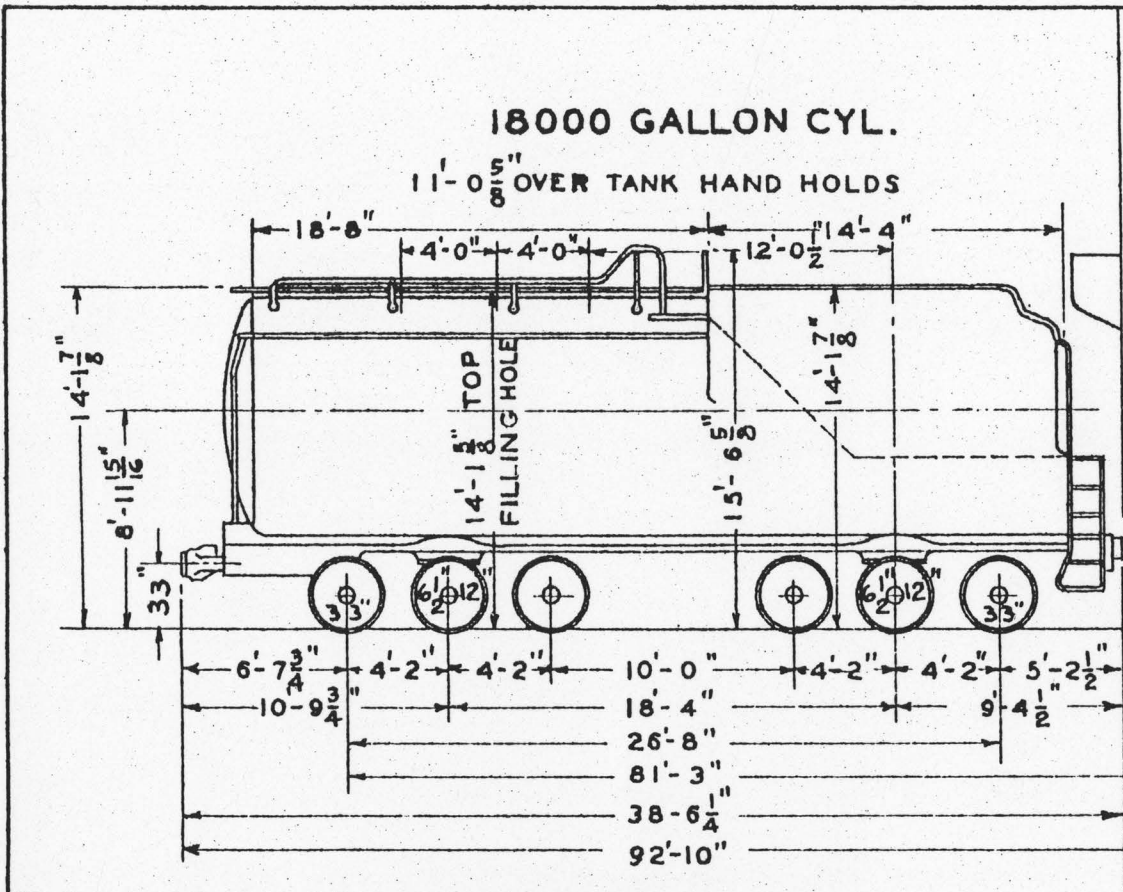
11'-0 $\frac{5}{8}$ " OVER TANK HAND HOLDS

## TENDER

WATER CAP.		FUEL CAP.
GALLONS		COAL
18000		44000LBS.
WT OF TENDER		TOTAL WT.
LIGHT	LOADED	ENG. & TEND LOADED
122900	310500	707600
TENDER FRAME	TRUCK	BUILT
WATER BOTTOM	6-WHL. EQUAL	

Gordon McCulloh Collection



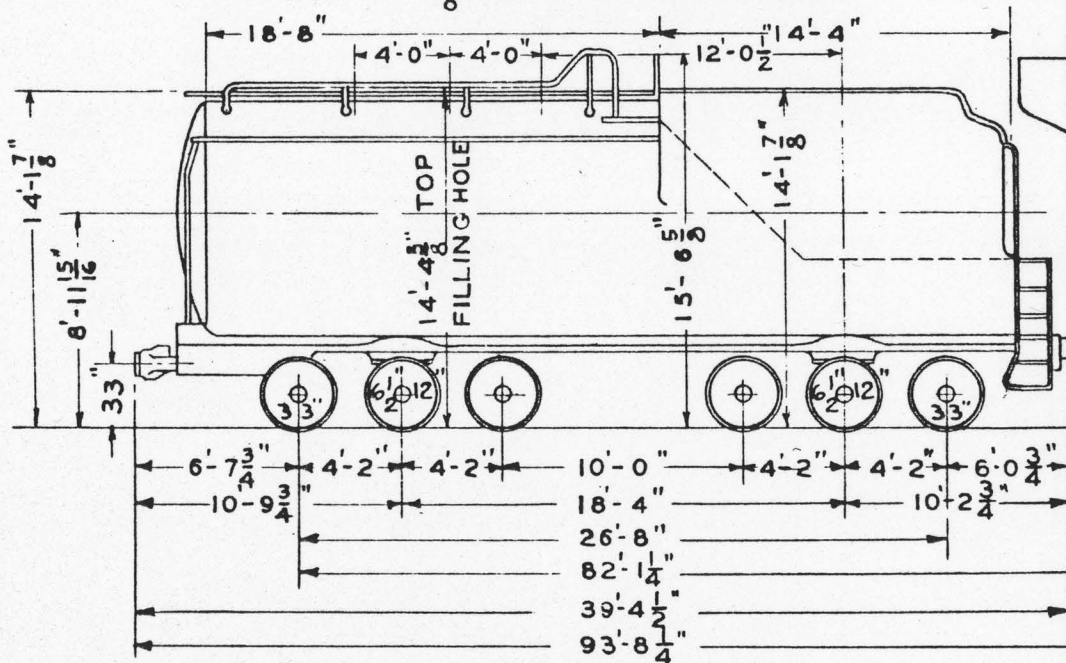


TENDER		
WATER CAP.		FUEL CAP.
GALLONS		COAL
18000		44000 LBS.
WT OF TENDER		TOTAL WT.
LIGHT	LOADED	ENG. & TEND
122900	310500	LOADED
707600		
TENDER	TRUCK	BUILT
FRAME		
WATER	6-WHL.	
BOTTOM	EQUAL	

Gordon McCulloh Collection

(11.0)

## 18000 GALLON CYL.

11'-0"<sup>8/16"</sup> OVER TANK HAND HOLDS

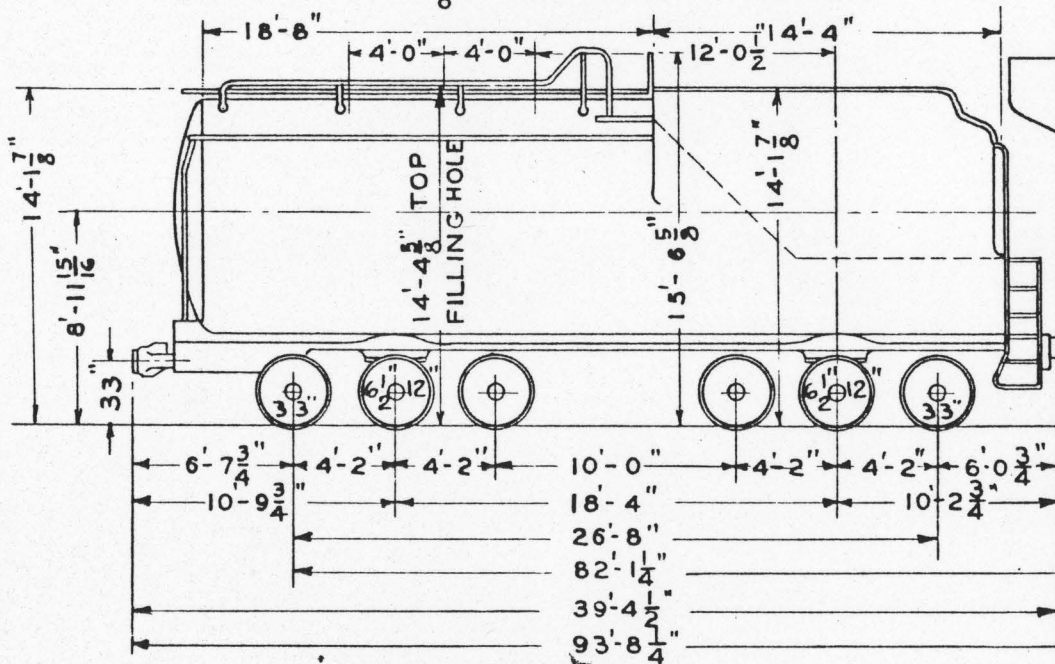
## TENDER

WATER CAP.		FUEL CAP.
GALLONS		COAL
18000		44000 LBS.
WT. OF TENDER		TOTAL WT.
LIGHT	LOADED	ENG. & TEND LOADED
122900	310500	707600
TENDER FRAME	TRUCK	BUILT
WATER BOTTOM	6-WHL. EQUAL	A. L. CO. 1928-31

Gordon McCulloh Collection

C	B	A	ISSUE DATE	DIAGRAM
2-7-49	11-1-44	7-1-38		T-15-5

## 18000 GALLON CYL.

11'-0"<sup>00.15"</sup> OVER TANK HAND HOLDS

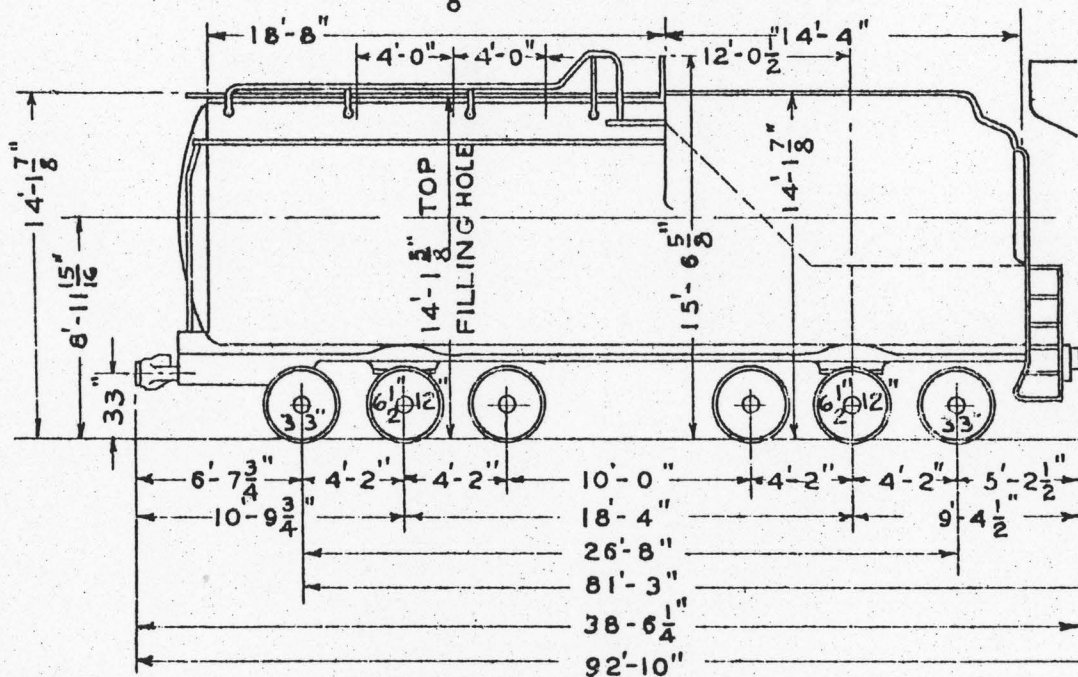
## TENDER

WATER CAP.		FUEL CAP.
GALLONS		COAL
18000		44000 LBS.
WT. OF TENDER		TOTAL WT.
LIGHT	LOADED	ENG. & TEND LOADED
122900	310500	707600
TENDER FRAME	TRUCK	BUILT
WATER BOTTOM	6-WHL. EQUAL	A. L. CO. 1928-31

Gordon McCulloh Collection

C	B	A	ISSUE	DIAGRAM
2-7-49	11-1-44	7-1-38	DATE	T-15-6

## 18000 GALLON CYL.

11'-0 $\frac{5}{8}$ " OVER TANK HAND HOLDS

## TENDER

WATER CAP.		FUEL CAP.
GALLONS		COAL
18000		44000LBS.
WT OF TENDER		TOTAL WT.
LIGHT	LOADED	ENG. & TEND LOADED
122900	310500	707900
TENDER FRAME	TRUCK	BUILT
WATER BOTTOM	6-WHL. EQUAL	

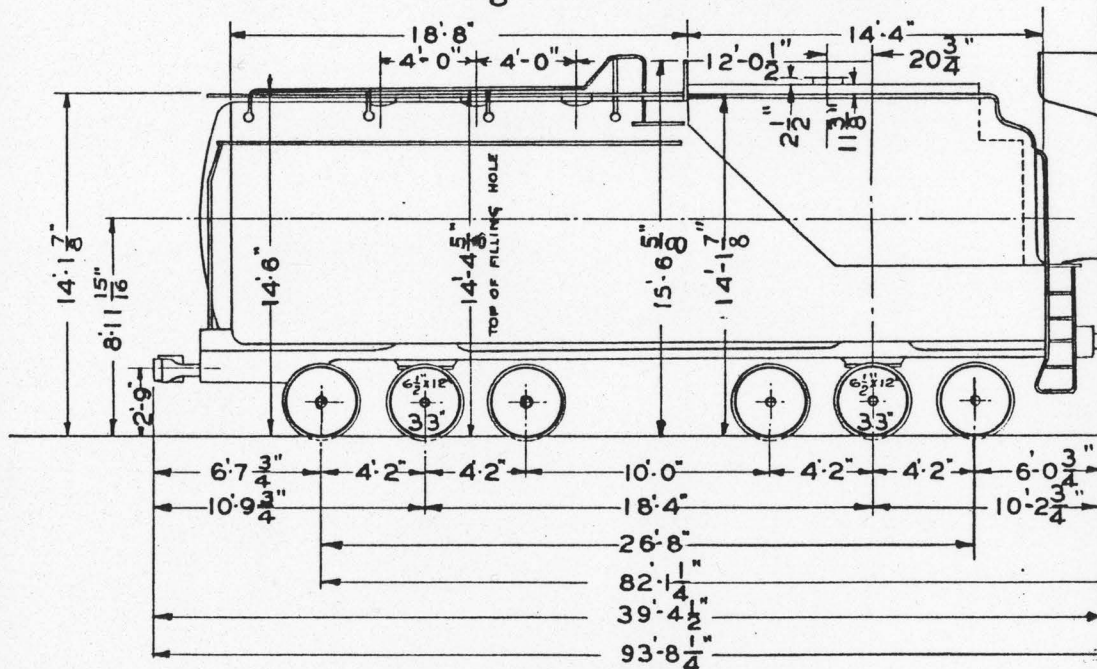
Gordon McCulloh Collection

A	ISSUE	DIAGRAM
7-1-38	DATE	T-15-6A





## 18,000 GALLON CYL.

11'-0<sup>11</sup>/<sub>16</sub>" OVER TANK HAND HOLDS

## TENDER

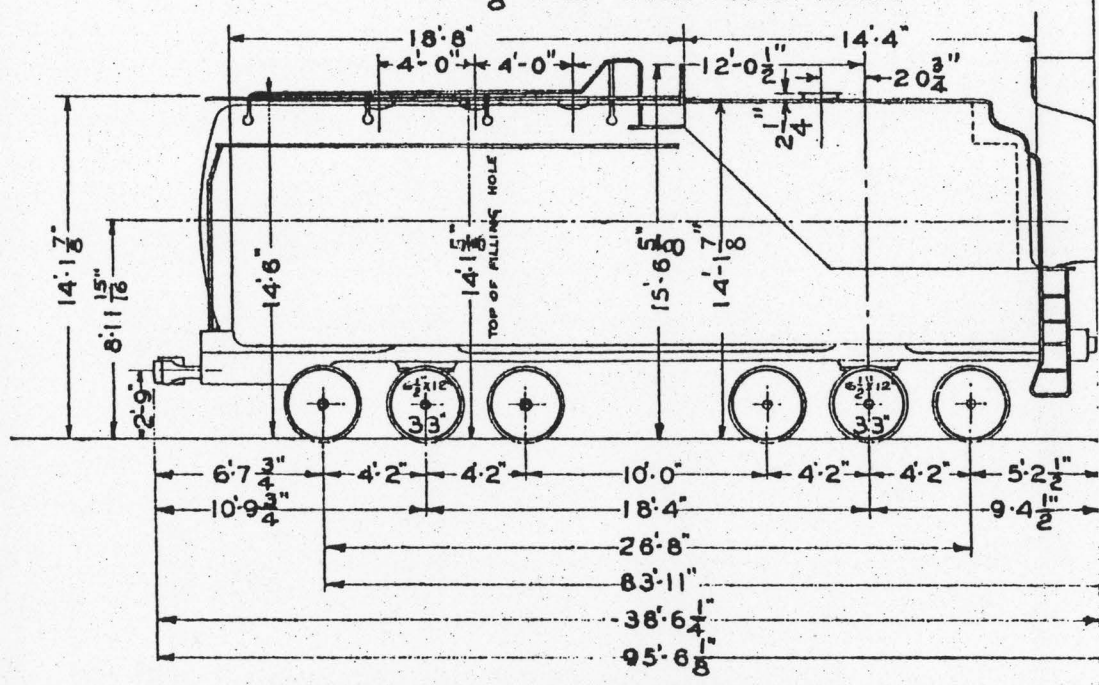
WATER CAP.		FUEL CAP.
GALLONS		OIL
18,000		6010 GAL.
WT. OF TENDER		TOTAL WT.
LIGHT	LOADED	ENG. & TEND. LOADED
129 300	322 000	609100
TENDER FRAME	TRUCK	BUILT
WATER BOTTOM	6 WHEEL EQUAL.	AL. CO. 1928-31

Gordon McCulloh Collection

C	B	A	ISSUE	DIAGRAM
2-7-49	11-1-44	7-1-38	DATE	T-15-8

### 18,000 GALLON CYL

11'-0" OVER TANK HAND HOLDS



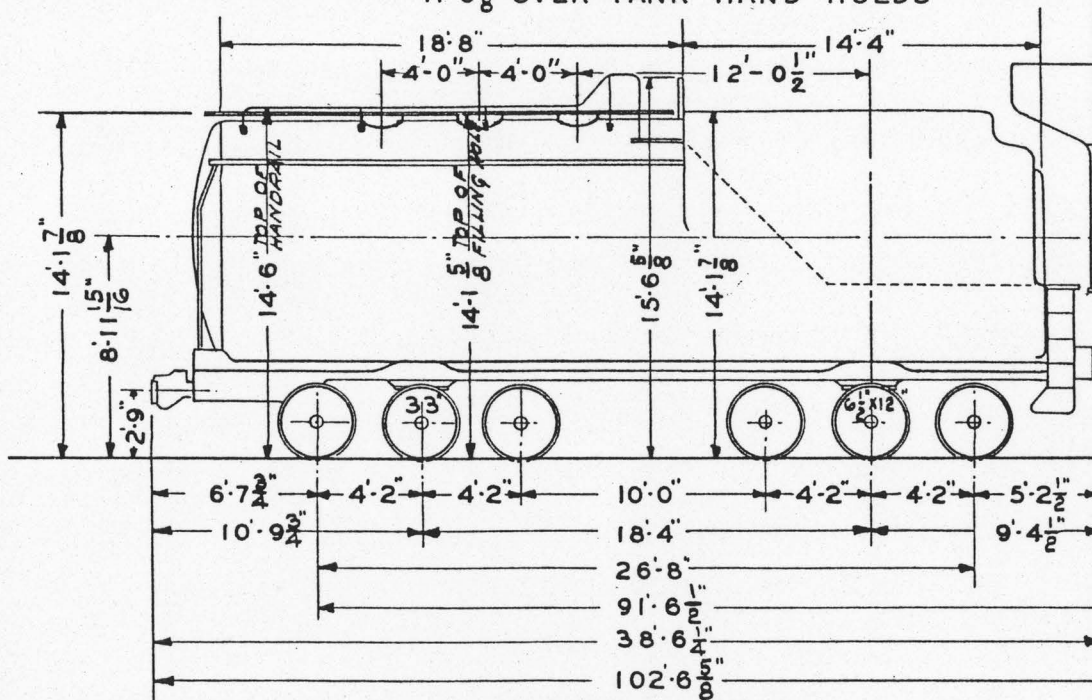
### TENDER

WATER CAP.		FUEL CAP.
GALLONS		OIL
18,000		5 217
WT. OF TENDER		TOTAL WT. ENG. & TEND. LOADED
LIGHT	LOADED	
127 300	308 916	7129 16
TENDER FRAME	TRUCK	BUILT
WATER BOTTOM	6 WHEEL EQUAL.	AL. CO. 1929-30

Gordon McCulloh Collection



## 18 000 GALLON CYL.

11-0<sup>5</sup>/<sub>8</sub>" OVER TANK HAND HOLDS

## TENDER

WATER CAP.		FUEL CAP.
GALLONS		COAL
18,000		44,000 LBS.
WT. OF TENDER		TOTAL WT.
LIGHT	LOADED	ENG.&TEND. LOADED
122,900	310,500	805,500
TENDER FRAME	TRUCK	BUILT
WATER BOTTOM	6 WHEEL EQUAL.	A.L.CO. 1928

Gordon McCulloh Collection

A	ISSUE	DIAGRAM
7-1-38	DATE	T-18-1